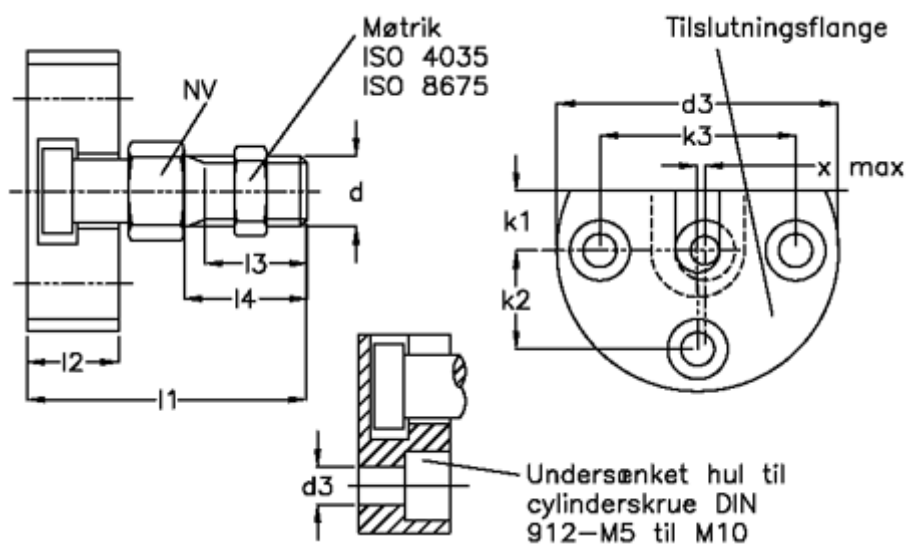


Article number: 20056509

Description: E+G Quick-fit coupling (radial displacement)
GN 240.1-M6-A

Measures



d1 = M 6x1	l3	= 11.0
d2 = 42	l4	= 14
d3 = 5.5	Max displacement	= 0.6
k1 = 7.0	Max push-pull strength N	= 2500
k2 = 14.0	NV	= 10
k3 = 28		
l1 = 30.5		
l2 = 11.0		